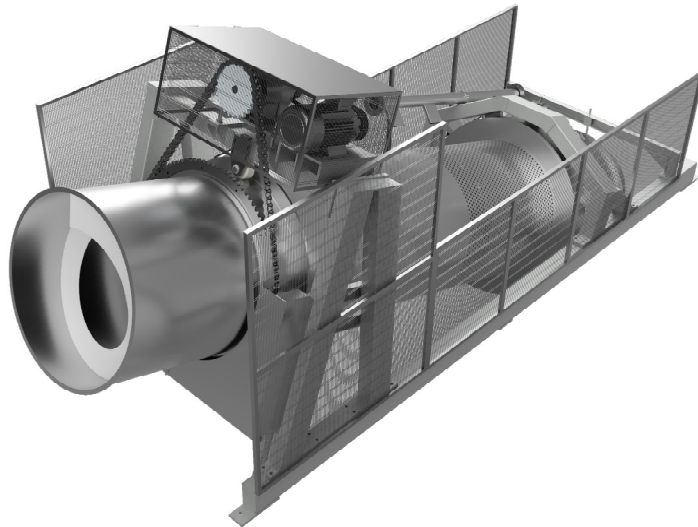


ECODRUM ED



1. PULPER M³
2. TYPE OF RAW MATERIALS USED
3. DAILY PRODUCTION
4. RATE OF CONTAMINATION
5. EXISTING PULPER ACCESSORIES: RAGGER/SAS HEAVY IMPURITIES /POIRE/HYDRAPURGE
6. EXISTING ELEVATION BETWEEN SCREEN AND FLOOR